

Klemsan®

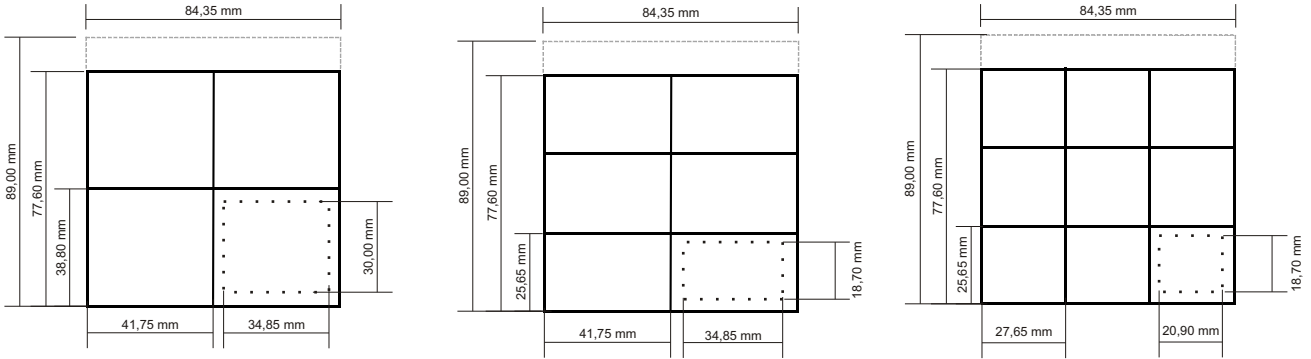
LSK

Sinyal Modülü

Signal Module

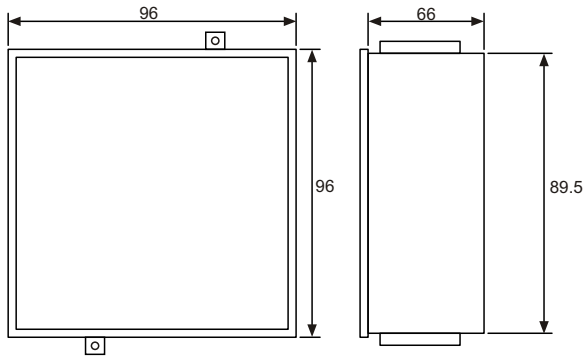
ön görünüm / front view	tip / type	giriş adedi / inputs	giriş sinyali / input signal	nötr bağlantısı / neutral connection	sipariş no / order no									
<table border="1"> <tr><td>1</td><td>2</td></tr> <tr><td>3</td><td>4</td></tr> </table>	1	2	3	4	LSK-4	4	24V AC/DC	ortak / common	583 041					
	1	2												
	3	4												
	LSK-4	4	48V AC/DC	ortak / common	583 042									
LSK-4	4	110V AC/DC	ortak / common	583 043										
LSK-4	4	220V AC/DC	ortak / common	583 045										
<table border="1"> <tr><td>1</td><td>2</td></tr> <tr><td>3</td><td>4</td></tr> <tr><td>5</td><td>6</td></tr> </table>	1	2	3	4	5	6	LSK-6	6	24V AC/DC	ortak / common	583 061			
	1	2												
	3	4												
	5	6												
LSK-6	6	48V AC/DC	ortak / common	583 062										
LSK-6	6	110V AC/DC	ortak / common	583 063										
LSK-6	6	220V AC/DC	ortak / common	583 065										
<table border="1"> <tr><td>1</td><td>2</td><td>3</td></tr> <tr><td>4</td><td>5</td><td>6</td></tr> <tr><td>7</td><td>8</td><td>9</td></tr> </table>	1	2	3	4	5	6	7	8	9	LSK-9	9	24V AC/DC	ortak / common	583 091
	1	2	3											
	4	5	6											
	7	8	9											
LSK-9	9	48V AC/DC	ortak / common	583 092										
LSK-9	9	110V AC/DC	ortak / common	583 093										
LSK-9	9	220V AC/DC	ortak / common	583 095										

Aydınger kağıdı ölçüleri / Transparent paper dimensions :



Membran içerisine yazıcı çıktısı koyabilirsiniz. Bakınız www.klemsan.com.tr/destek/LSK
It is possible to insert a special printout inside front panel membrane. Refer to www.klemsan.com.tr/support/LSK

Boyutlar / Dimensions:



Bağlantılar / Connections:

